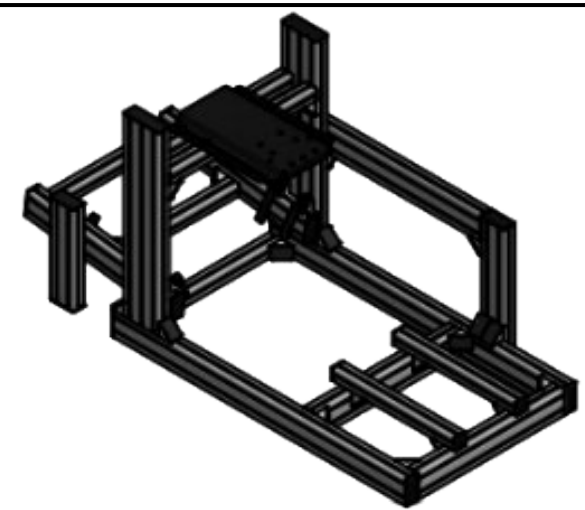
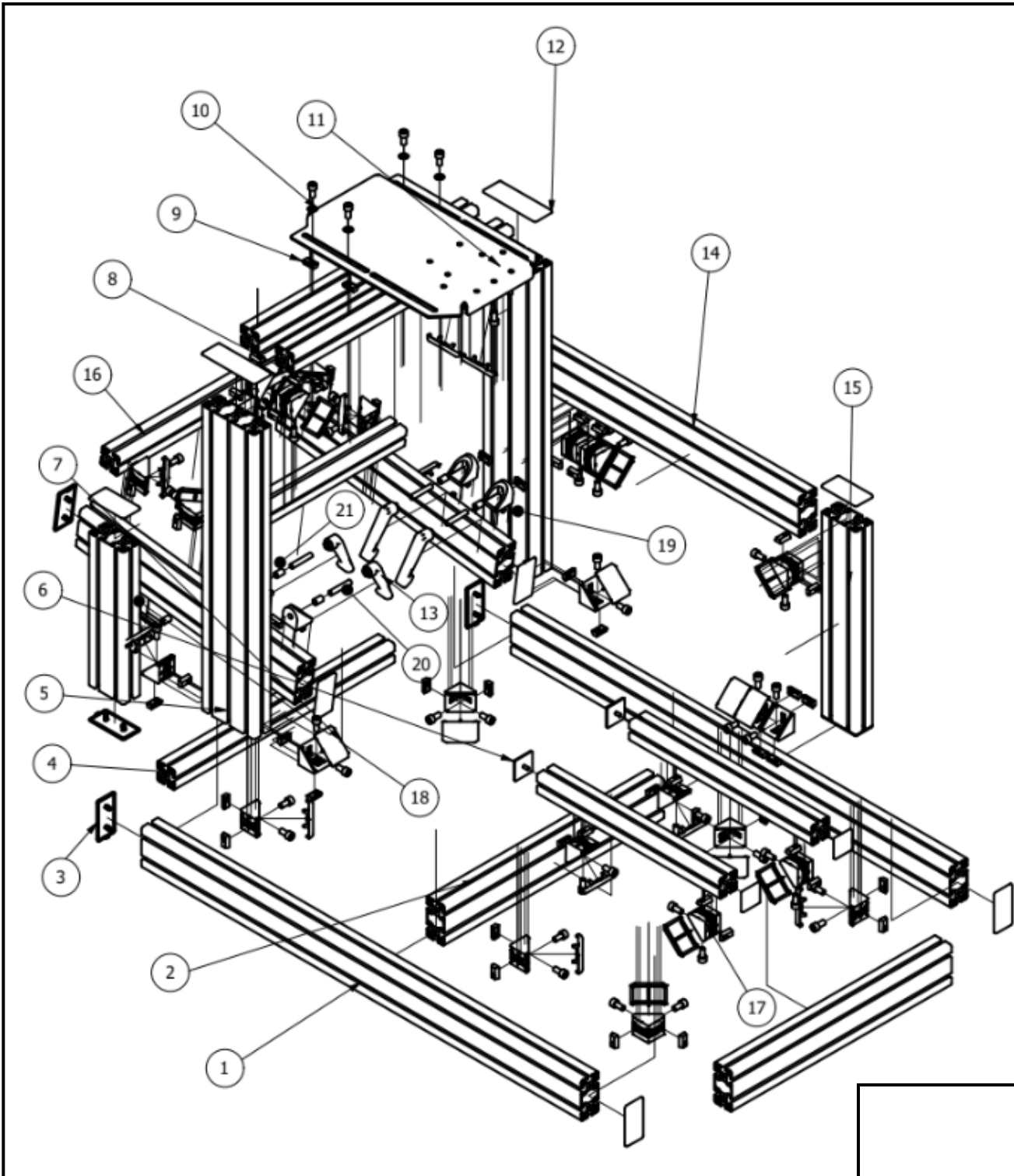


Sim Racing
US-Dream





1	Profile 40x80L I-Type Slot 8 1000mm	2
2	Profile 40x80L I-Type Slot 8 500mm	4
3	Cover Caps 40x80 I-Type Slot 8	13
4	Profile 40x40L I-Type Slot 8 500mm	5
5	Profile 40x120L I-Type Slot 8 600mm	2
6	Cover Cap 40x40 I-Type Slot 8	4
7	Cover Cap bracket 40 I-Type Slot 8	27
8	Screw DIN 7380 M8x16	58
9	T-Slot guided I-Type Slot 8 M8	63
10	Washer DIN 9021 M8	4
11	Steering Wheel Mounting Plate Fanatec	1
12	Cover Caps 40x120 I-Type Slot 8	2
13	Locking Lever with internal thread M8	5
14	Profile 40x80L I-Type Slot 8 600mm	1
15	Profile 40x80L I-Type Slot 8 400mm	1
16	Profile 40x40L I-Type Slot 8 415mm	2
17	Bracket 40 I-Type Slot 8	27
18	Profile 40x80L I-Type Slot 8 300mm	1
19	Angle Clamp 40 I-Type Slot 8	5
20	Screw DIN 913 M8x45	5
21	Spacer DIN N0370 M8x15	5

Sim Racing
US-Dream

