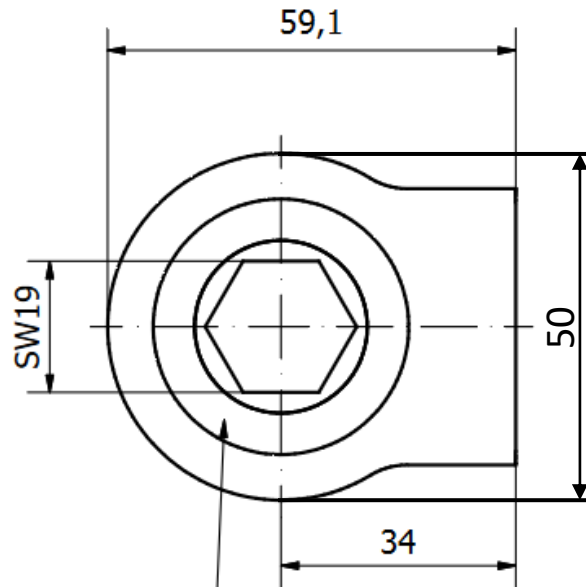
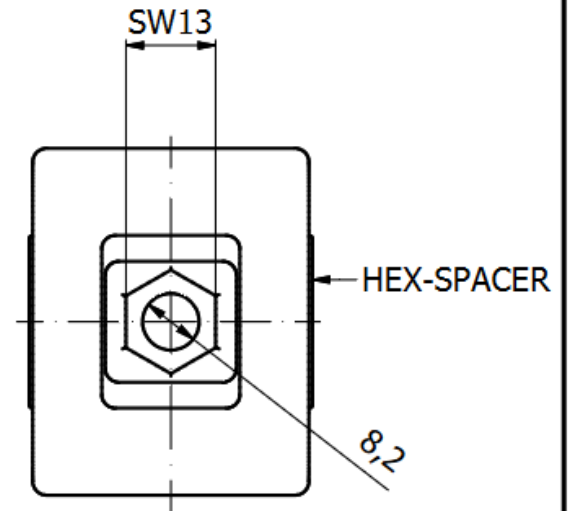


Place for the T block/block, depth 4,1



Bearing 6805-Z



NAME	6805-Z
ID	25
OD	37
W	7

DESIGNED I.JULIÁN	CHECKED	APPROVED	DATE	DATE 26/07/2021	
40x40 HEX BEARING JOINT				EDITION	SHEET 1 / 1