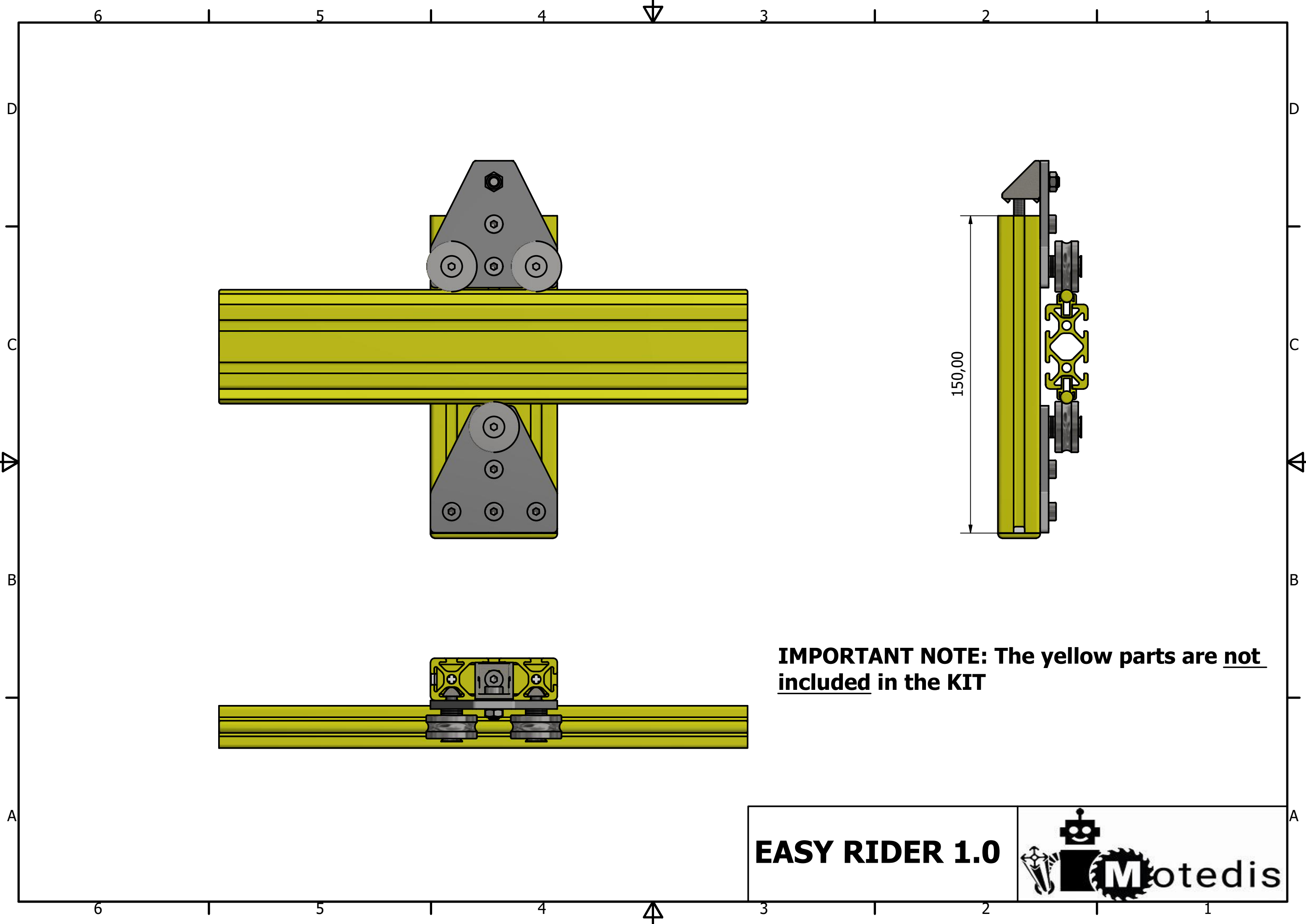


IMPORTANT NOTE: The yellow parts are not included in the KIT

ELEMENT	QUANTITY	DESCRIPTION
1	1	Profile 20x60 I-Type slot 5
2	1	Cover_Cap_20x60_I-Type_slot5
3	1	Profile 20x40 I-Type slot 5
4	2	Shaft-clamp profile for Shaft 6 Slot 5 I-Type
5	2	Precision steel shaft Ø6mm
6	2	Verbinderplatte -T- alu elox 60/60
7	6	DIN 7984 - M5 x 10
8	9	T-nut with spring ball, with guidance I-Type slot 5 [M5]
9	1	Bracket 20x20 I-type Slot 5
10	1	DIN 7984 - M5 x 12
11	1	DIN 7984 - M5 x 20
12	1	DIN 934 - M5
13	3	DIN 7991 - M5x25
14	3	Spacer Aluminium Extern D 8mm intern d 5,1mm
15	3	Roller with round grinding 6mm
16	9	DIN 125 - A 5,3

EASY RIDER 1.0





IMPORTANT NOTE: The yellow parts are not included in the KIT

EASY RIDER 1.0

