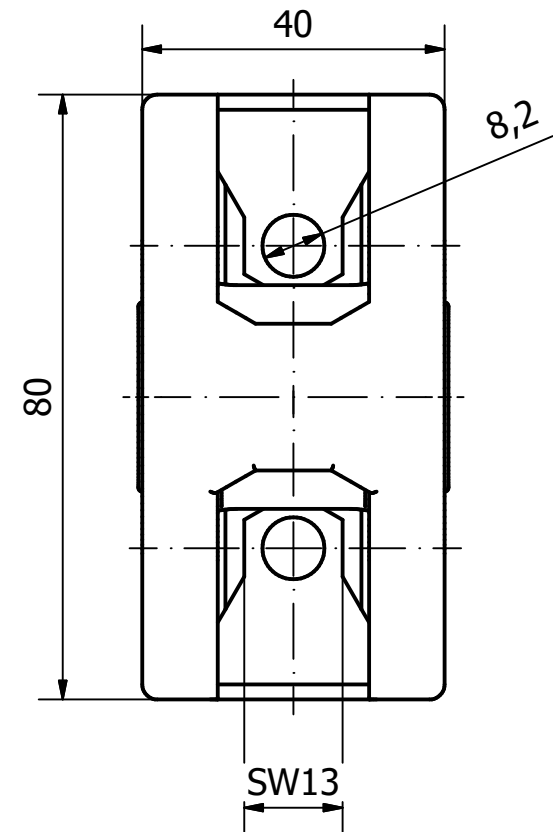
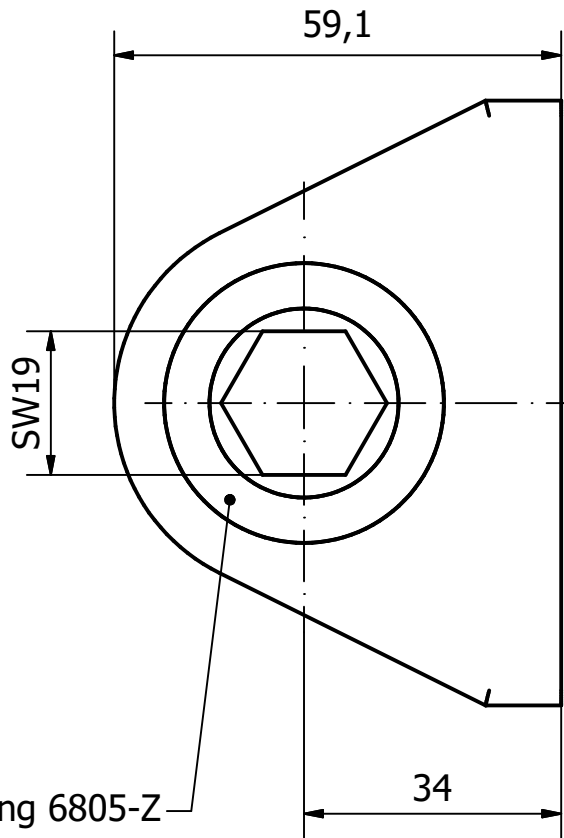
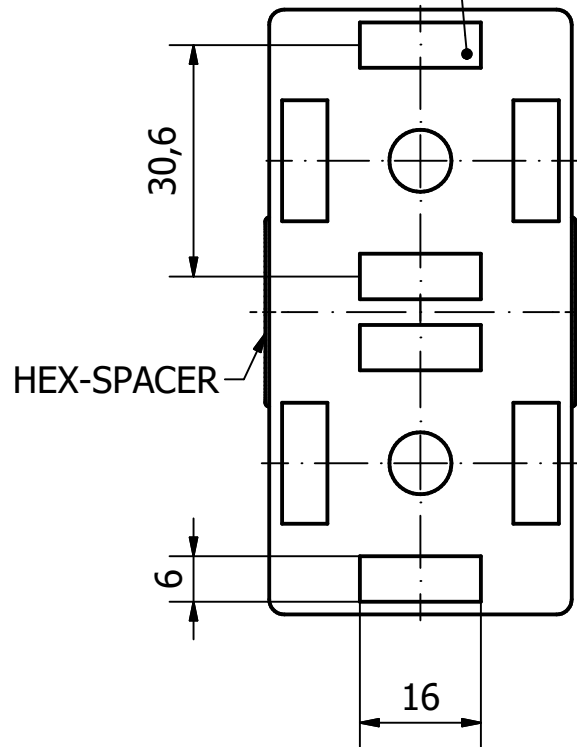


Place for the T Block/block,  
depth 4,1



NAME	6805-Z
ID	25
OD	37
W	7



DESIGNED I.JULIÁN	CHECKED	APPROVED	DATE	DATE 27/07/2021
			40x80 Hex-bearing joint	EDITION
				SHEET 1 / 1