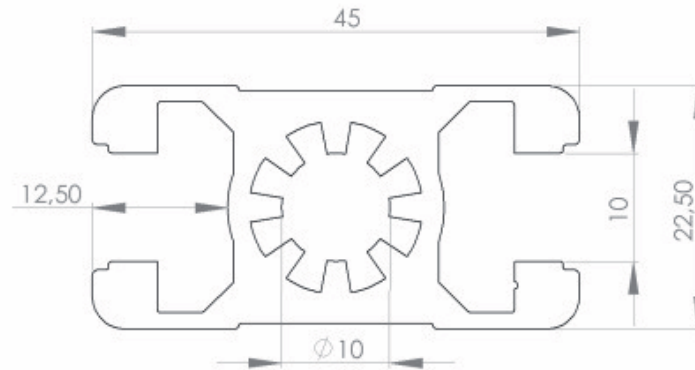
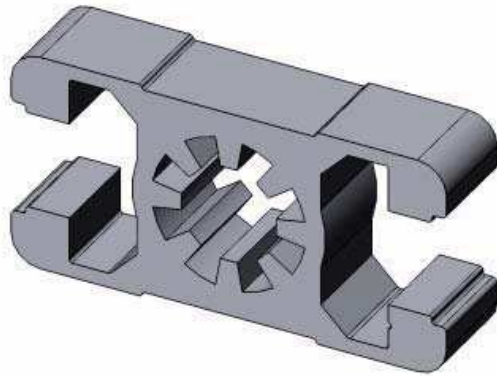


# Profile 22,5x45 B-Type slot 10



## Profile 22,5x45 B-Type slot 10

Slot		10	mm
Mass	m	1,30	Kg/m
Moment of Inertia	Ix	7,10	cm <sup>4</sup>
	Iy	2,90	cm <sup>4</sup>
Section modulus	Wx	3,60	cm <sup>3</sup>
	Wy	2,60	cm <sup>3</sup>
Surface	A	4,60	cm <sup>2</sup>