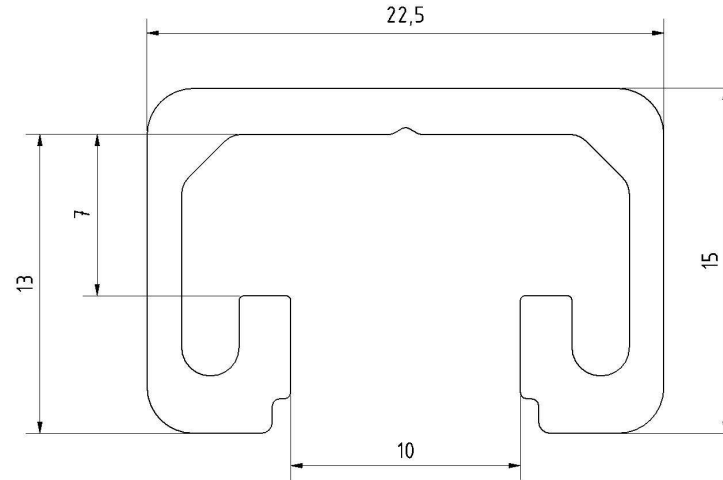
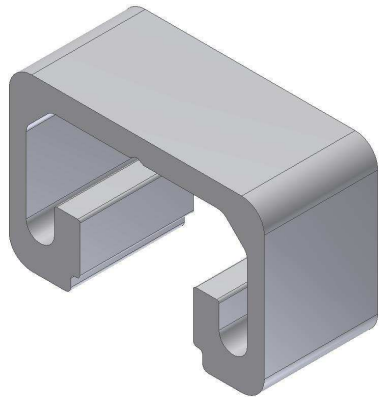


Profile 15x22,5 B-Type slot 10



Profile 15x22,5 B-Type slot 10

Slot		10	mm
Mass	m	0,33	Kg/m
Moment of Inertia	Ix	0,81	cm ⁴
	Iy	0,33	cm ⁴
Section modulus	Wx	0,72	cm ³
	Wy	0,40	cm ³
Surface	A	1,21	cm ²