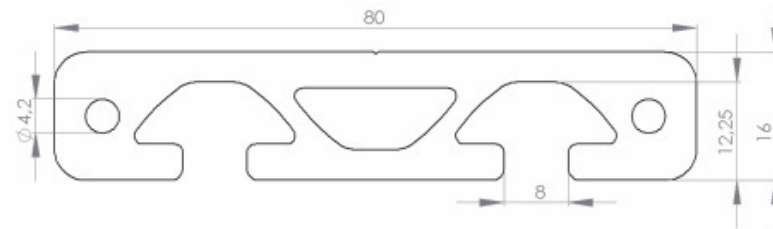
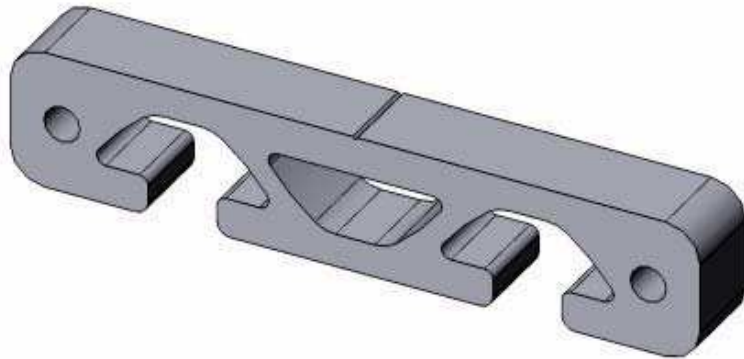


Profile 80x16S I-Type slot 8



Profile 80x16S I-type slot 8

Slot		8	mm
Mass	m	2,13	Kg/m
Moment of Inertia	Ix	48,01	cm ⁴
	Iy	2,20	cm ⁴
Section modulus	Wx	12,00	cm ³
	Wy	2,61	cm ³
Surface	A	7,89	cm ²