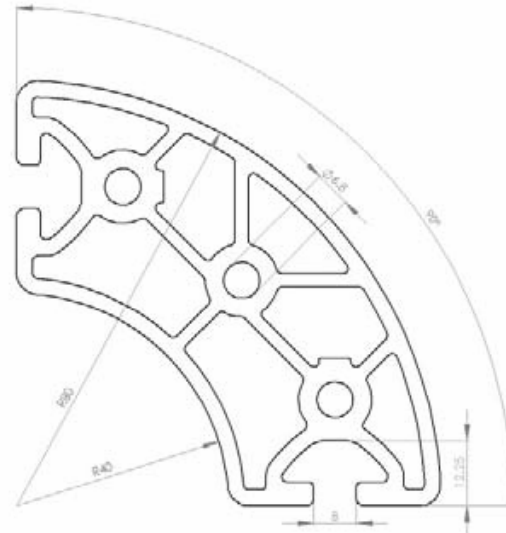


Profile 8 R40/80-90° I-Type slot 8



Profile 8 R40/80-90° I-Type slot 8

Slot		8	mm
Mass	m	4,09	Kg/m
Moment of Inertia	Ix	76,94	cm ⁴
	Iy	76,94	cm ⁴
Section modulus	Wx	19,18	cm ³
	Wy	19,18	cm ³
Surface	A	15,14	cm ²