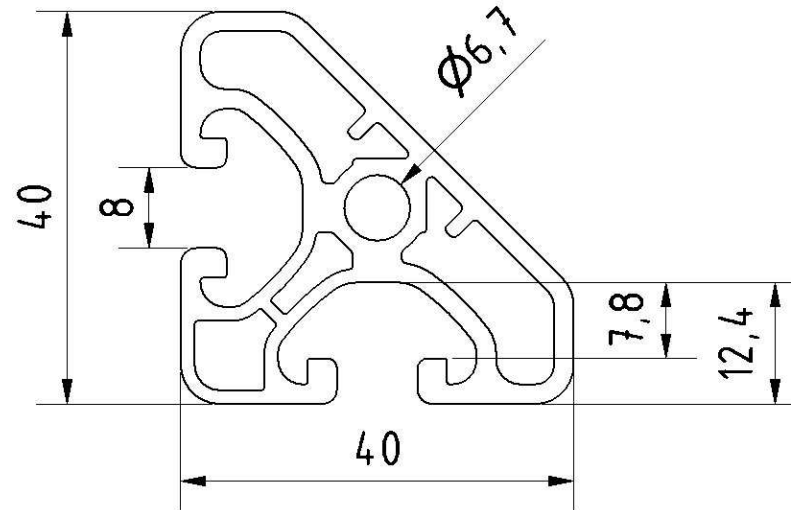
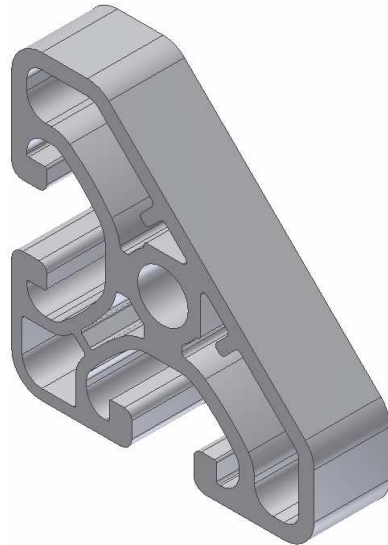


Profile 8 40x40-45°E I-Type slot 8



Profile 40x40 45°E I-Type slot 8

Slot		8	mm
Mass	m	1,23	Kg/m
Moment of Inertia	Ix	5,95	cm ⁴
	Iy	5,95	cm ⁴
Section modulus	Wx	2,60	cm ³
	Wy	2,60	cm ³
Surface	A	4,55	cm ²