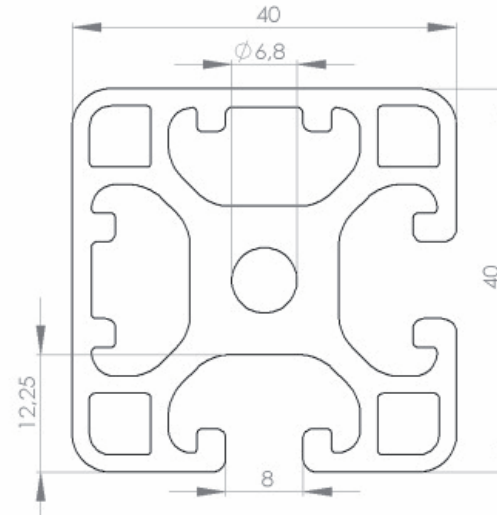
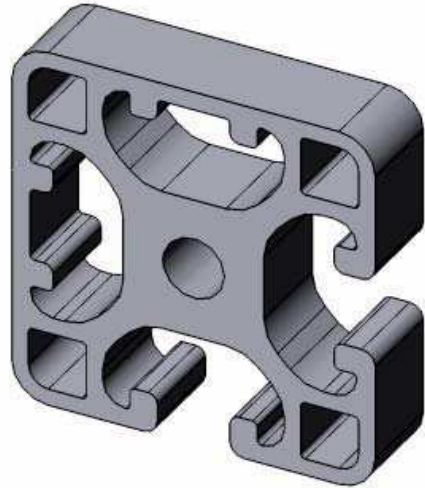


Profile 40x40 2NVS I-Type slot 8



Profile 40x40 2NVS I-Type slot 8

Slot		8	mm
Mass	m	1,84	Kg/m
Moment of Inertia	Ix	9,64	cm ⁴
	Iy	9,64	cm ⁴
Section modulus	Wx	4,70	cm ³
	Wy	4,70	cm ³
Surface	A	6,80	cm ²