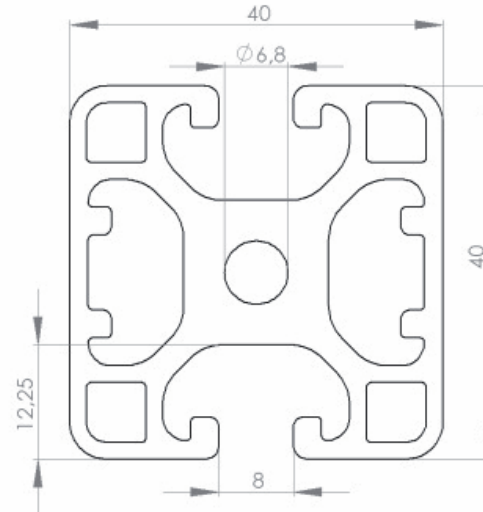
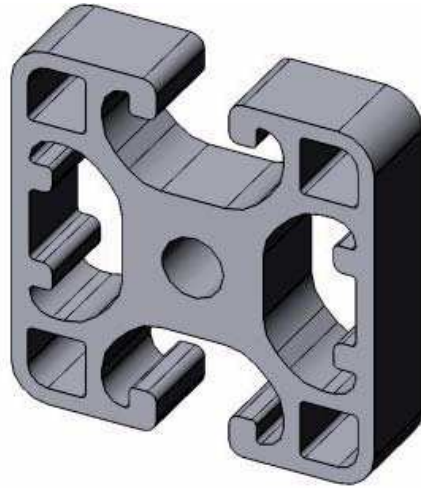


Profile 40x40 2N180 I-Type slot 8



Profile 40x40 2N180 I-Type slot 8

| | | | |
|-------------------|----|-------|-----------------|
| Slot | | 8 | mm |
| Mass | m | 1,83 | Kg/m |
| Moment of Inertia | Ix | 9,02 | cm ⁴ |
| | Iy | 10,11 | cm ⁴ |
| Section modulus | Wx | 4,51 | cm ³ |
| | Wy | 5,05 | cm ³ |
| Surface | A | 6,77 | cm ² |