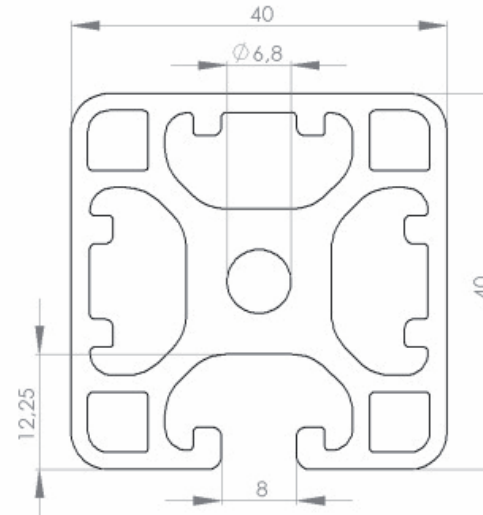
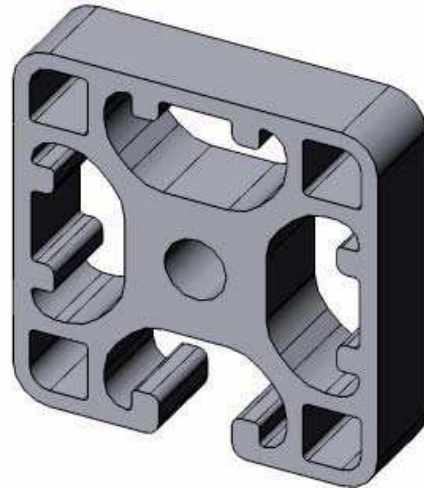


Profile 40x40 1N I-Type slot 8



Profile 40x40 1N I-Type slot 8

Slot		8	mm
Mass	m	1,90	Kg/m
Moment of Inertia	I _x	9,62	cm ⁴
	I _y	10,22	cm ⁴
Section modulus	W _x	4,70	cm ³
	W _y	5,11	cm ³
Surface	A	6,96	cm ²