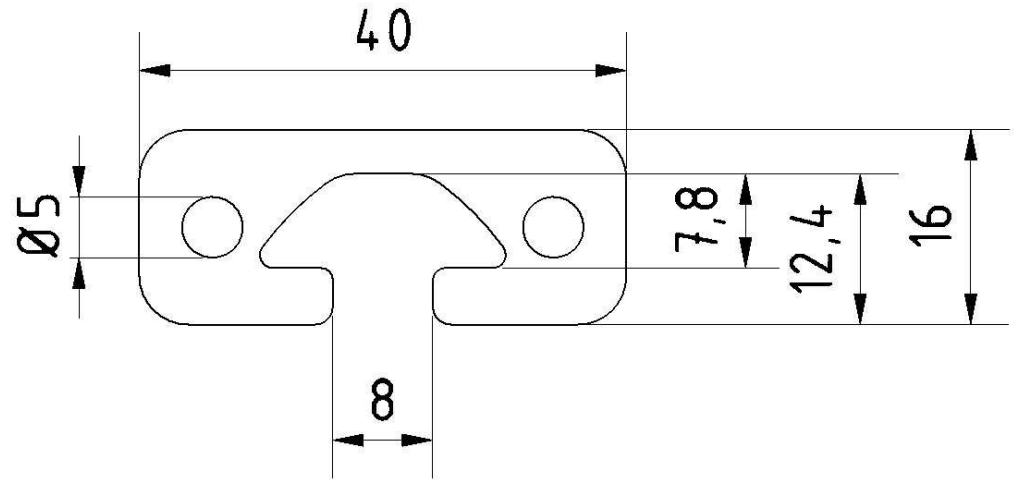
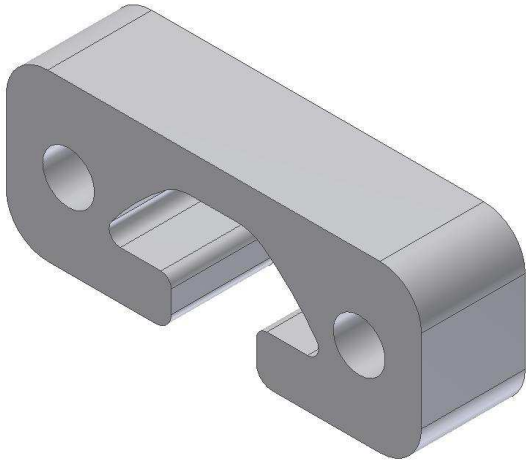


Profile 40x16S I-Type slot 8



Profile 40x16S I-Type slot 8

Slot		8	mm
Mass	m	1,16	Kg/m
Moment of Inertia	I _x	6,95	cm ⁴
	I _y	1,09	cm ⁴
Section modulus	W _x	3,47	cm ³
	W _y	1,27	cm ³
Surface	A	4,28	cm ²