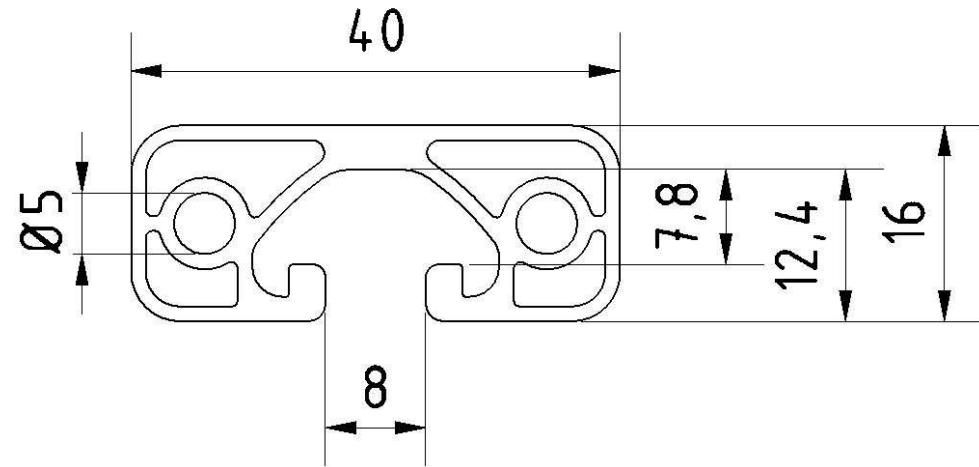
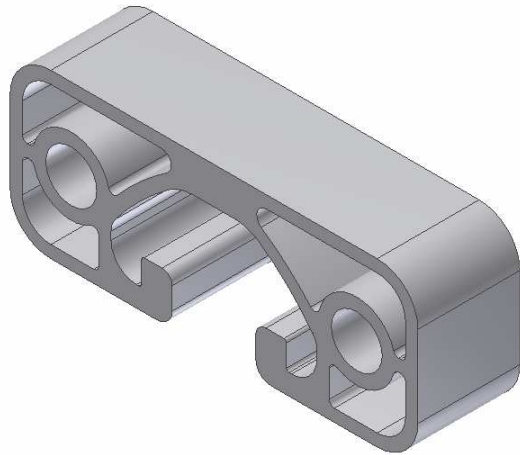


Profile 40x16E I-Type slot 8



Profile 40x16E I-Type slot 8

Slot		8	mm
Mass	m	0,66	Kg/m
Moment of Inertia	Ix	3,71	cm ⁴
	Iy	0,69	cm ⁴
Section modulus	Wx	1,86	cm ³
	Wy	0,84	cm ³
Surface	A	2,45	cm ²