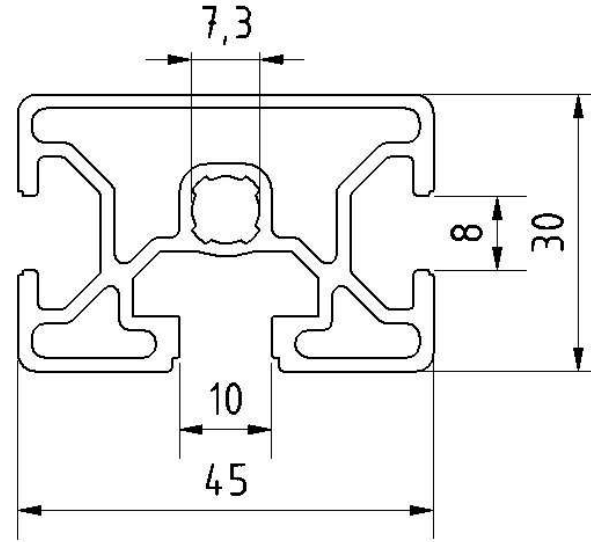
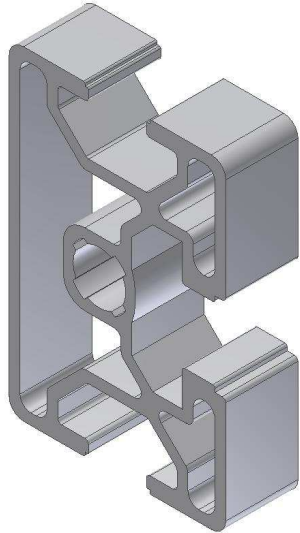


Profile 30x45 B-Type



Profile 30x45 B-Type slot 10

Slot		8 / 10	mm
Mass	m	1,06	Kg/m
Moment of Inertia	I _x	8,10	cm ⁴
	I _y	3,84	cm ⁴
Section modulus	W _x	3,60	cm ³
	W _y	2,49	cm ³
Surface	A	3,94	cm ²