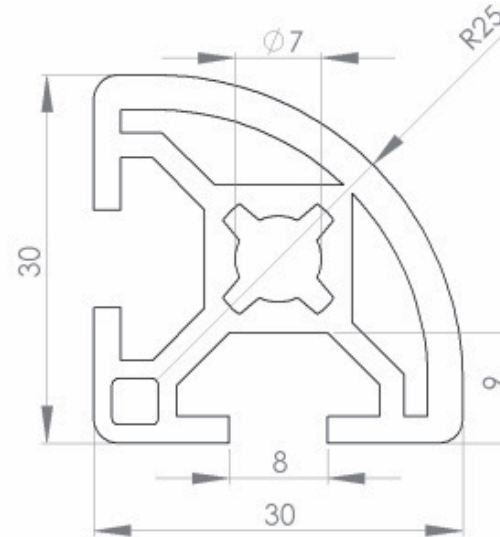
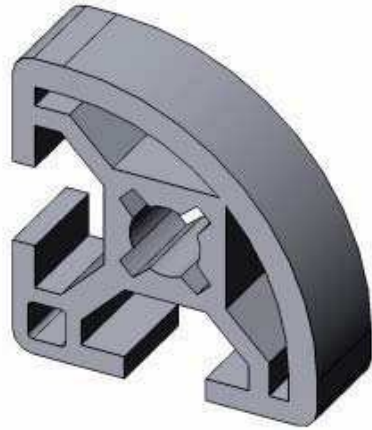


Profile 30x30 LR B-Type slot 8



Profile 30x30 LR B-Type slot 8

Slot		8	mm
Mass	m	0,80	Kg/m
Moment of Inertia	Ix	2,30	cm ⁴
	Iy	2,30	cm ⁴
Section modulus	Wx	1,40	cm ³
	Wy	1,40	cm ³
Surface	A	2,90	cm ²