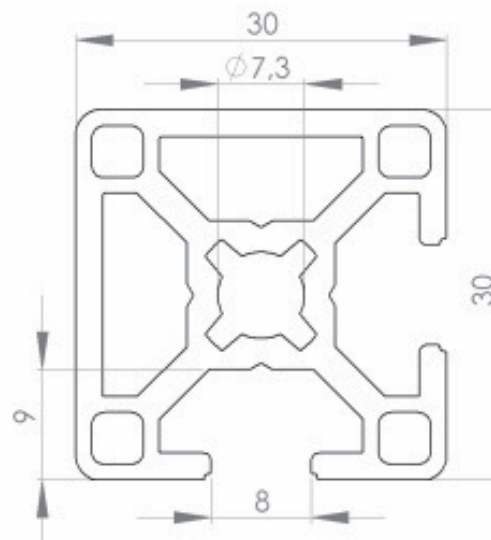
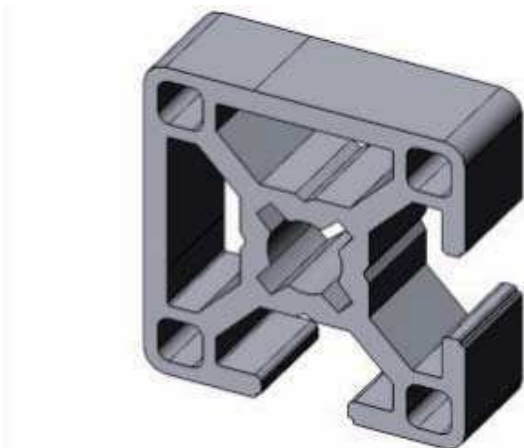


Profile 30x30 2NVS B-Type slot 8



Profile 30x30 2NVS B-Type slot 8

Slot		8	mm
Mass	m	0,80	Kg/m
Moment of Inertia	I _x	2,70	cm ⁴
	I _y	2,70	cm ⁴
Section modulus	W _x	1,80	cm ³
	W _y	1,80	cm ³
Surface	A	3,10	cm ²