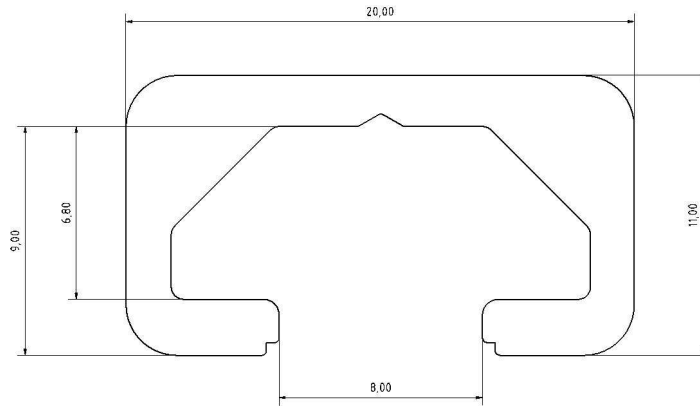
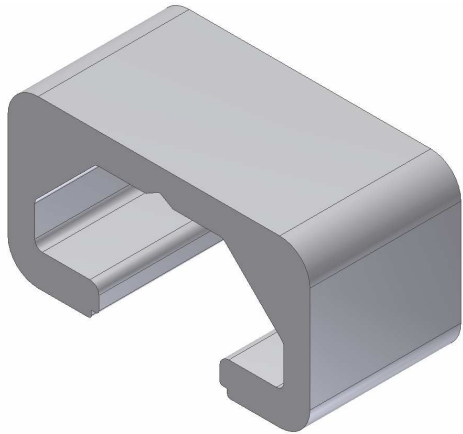


Profile 11x20 B-Type slot 8



Profile 11x20 B-Type slot 8

Slot		8	mm
Mass	m	0,22	Kg/m
Moment of Inertia	Ix	0,52	cm ⁴
	Iy	0,13	cm ⁴
Section modulus	Wx	0,51	cm ³
	Wy	0,20	cm ³
Surface	A	1,01	cm ²