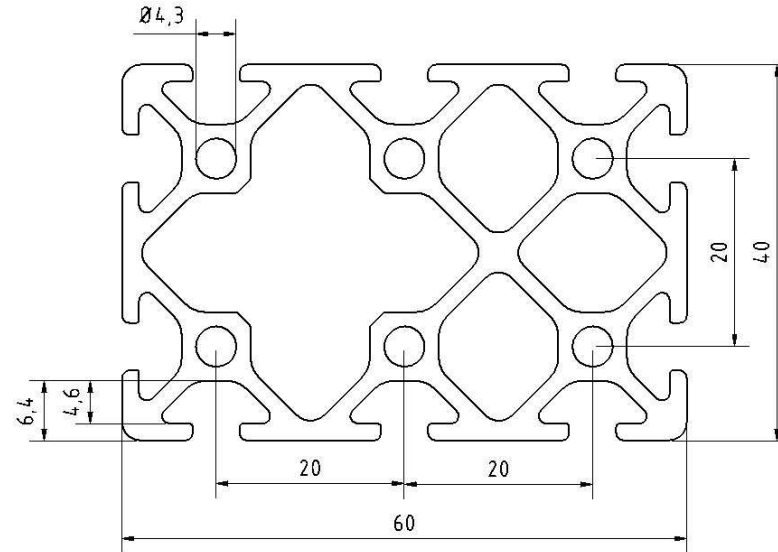
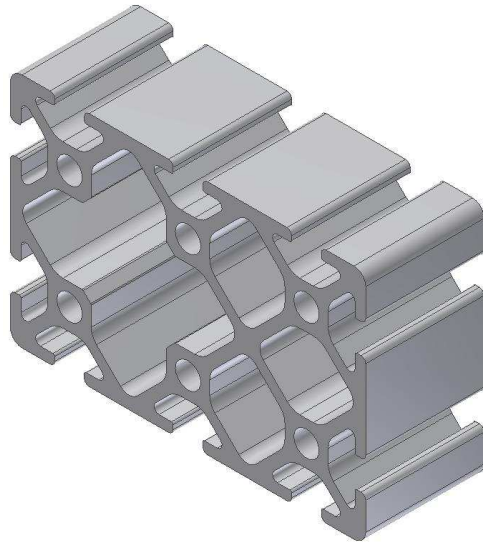


Profile 40x60 I-Type slot 5



Profile 40x60 I-Type slot 5

Slot		6	mm
Mass	m	2,07	Kg/m
Moment of Inertia	Ix	13,52	cm ⁴
	Iy	28,14	cm ⁴
Section modulus	Wx	6,76	cm ³
	Wy	9,09	cm ³
Surface	A	7,67	cm ²