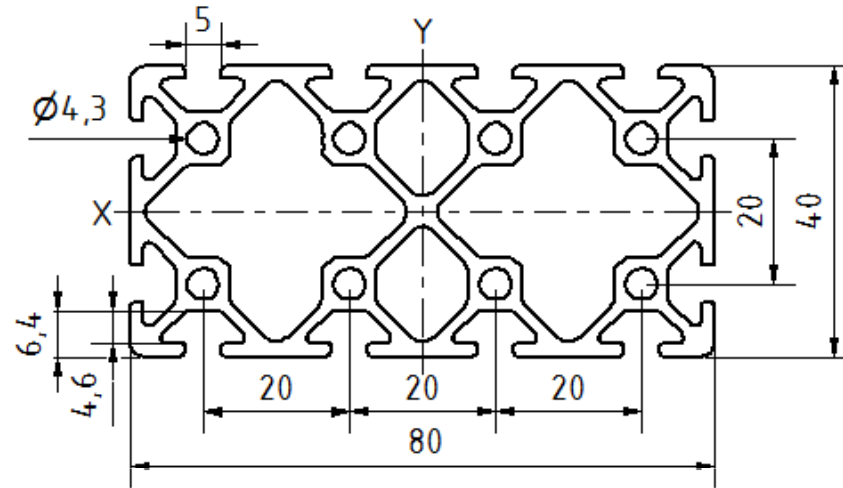
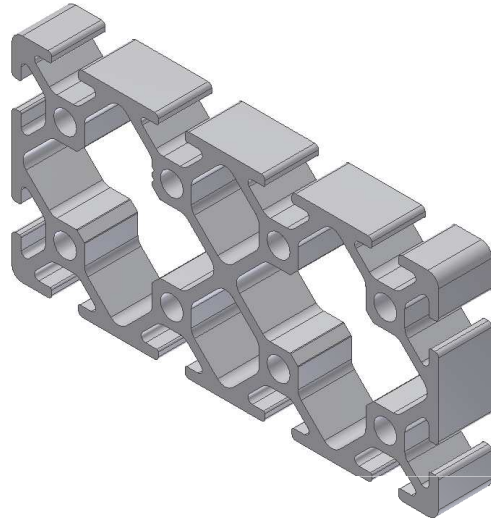


# Profile 40x80 I-Type slot 5



## Profile 40x80 I-Type slot 5

Slot		5	mm
Mass	m	2,56	Kg/m
Moment of Inertia	Ix	17,73	cm <sup>4</sup>
	Iy	59,57	cm <sup>4</sup>
Section modulus	Wx	8,86	cm <sup>3</sup>
	Wy	14,89	cm <sup>3</sup>
Surface	A	9,48	cm <sup>2</sup>