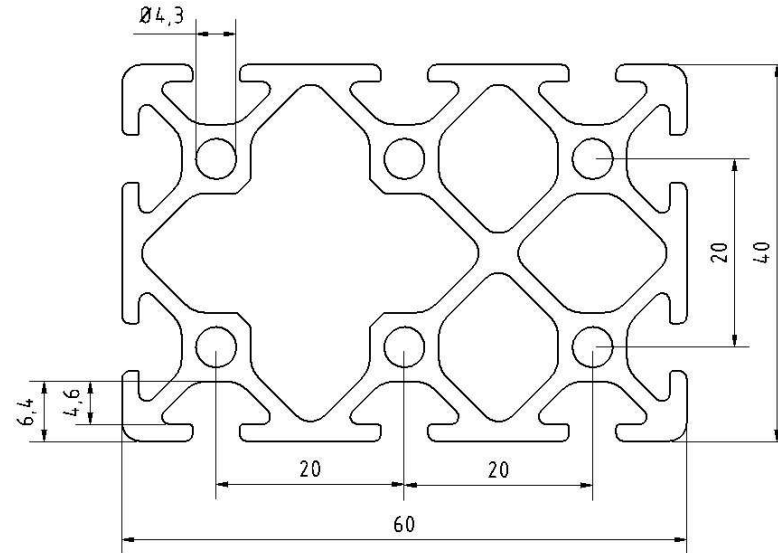
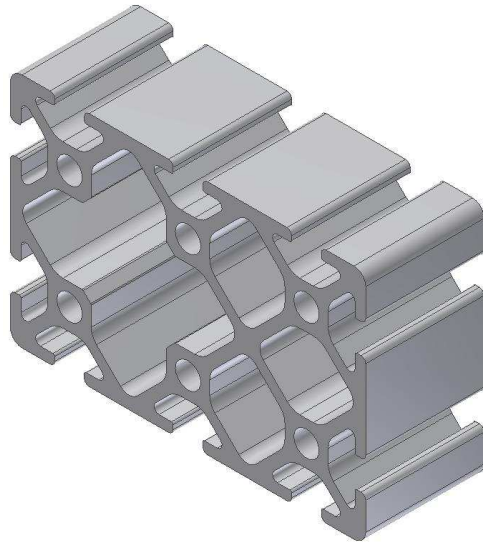


# Profile 40x60 I-Type slot 5



**Profile 40x60 I-Type slot 5**

Slot		6	mm
Mass	m	2,07	Kg/m
Moment of Inertia	Ix	13,58	cm <sup>4</sup>
	Iy	28,23	cm <sup>4</sup>
Section modulus	Wx	6,79	cm <sup>3</sup>
	Wy	9,41	cm <sup>3</sup>
Surface	A	7,66	cm <sup>2</sup>