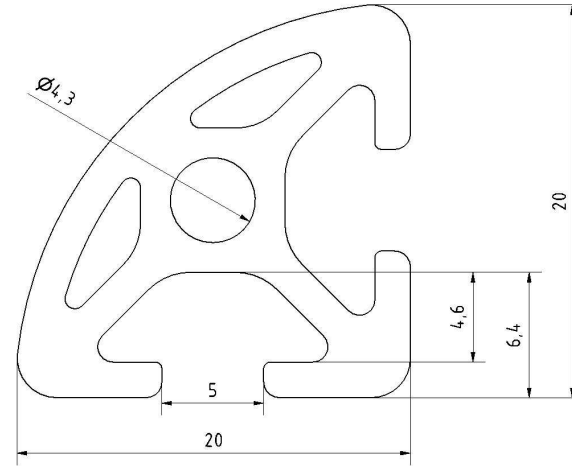
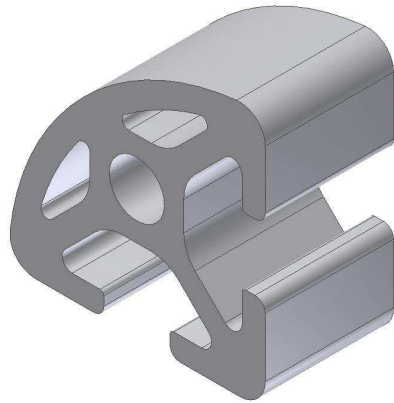


# Profile 20x20 LR I-Type slot 5



## Profile 20x20 LR I-Type slot 5

Slot		5	mm
Mass	m	0,47	Kg/m
Moment of Inertia	Ix	0,58	cm <sup>4</sup>
	Iy	0,58	cm <sup>4</sup>
Section modulus	Wx	0,54	cm <sup>3</sup>
	Wy	0,54	cm <sup>3</sup>
Surface	A	1,72	cm <sup>2</sup>