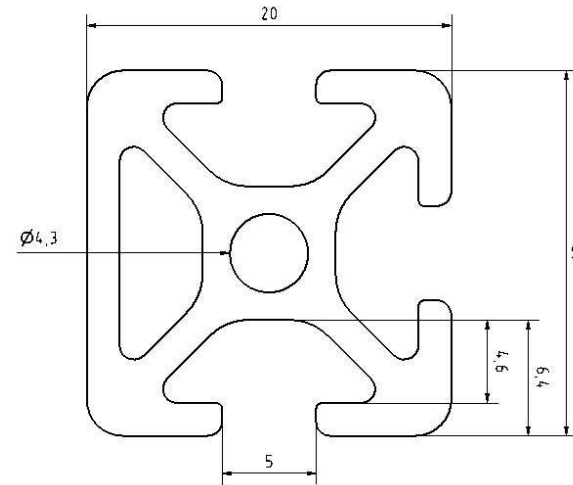
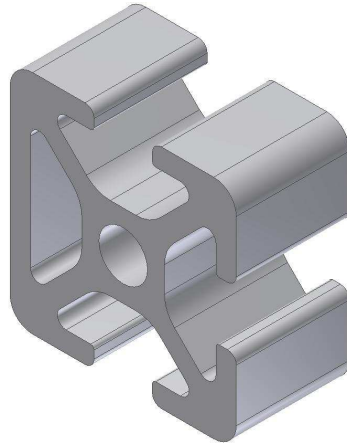


Profile 20x20 3N I-Type slot 5



Profile 20x20 3N I-Type slot 5

Slot		5	mm
Mass	m	0,52	Kg/m
Moment of Inertia	Ix	0,82	cm ⁴
	Iy	0,75	cm ⁴
Section modulus	Wx	0,78	cm ³
	Wy	0,75	cm ³
Surface	A	1,92	cm ²