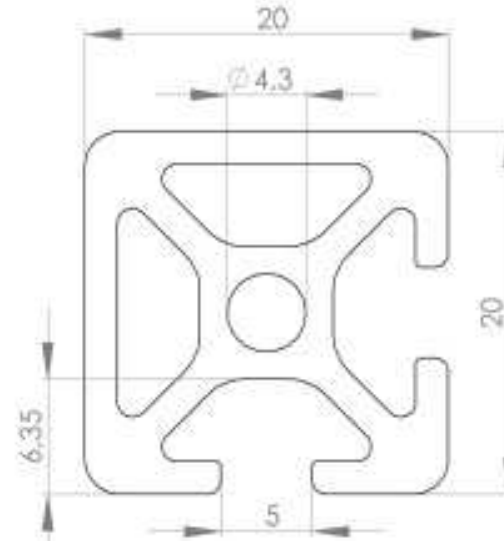
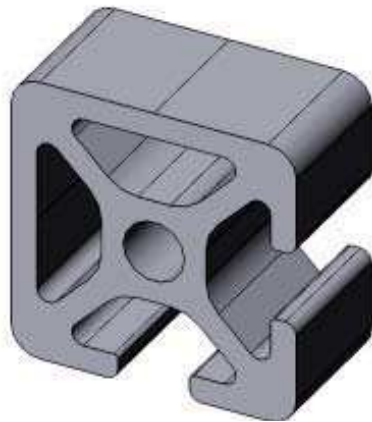


# Profile 20x20 2NVS I-Type slot 5



## Profile 20x20 2NVS I-Type slot 5

Slot		5	mm
Mass	m	0,54	Kg/m
Moment of Inertia	Ix	0,82	cm <sup>4</sup>
	Iy	0,82	cm <sup>4</sup>
Section modulus	Wx	0,79	cm <sup>3</sup>
	Wy	0,79	cm <sup>3</sup>
Surface	A	2,01	cm <sup>2</sup>