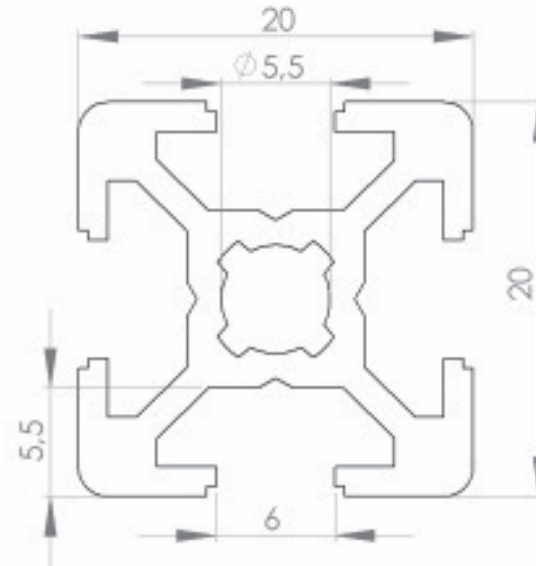
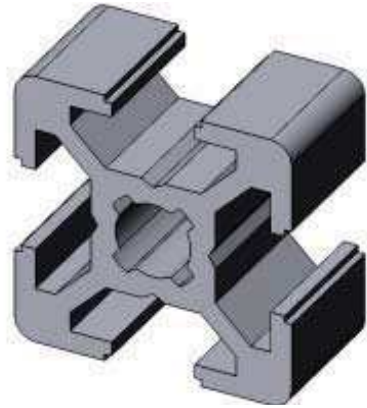


# Profile 20x20 B-Type slot 6



## Profile 20x20 B-Type slot 6

Slot		6	mm
Mass	m	0,44	Kg/m
Moment of Inertia	I <sub>x</sub>	0,70	cm <sup>4</sup>
	I <sub>y</sub>	0,70	cm <sup>4</sup>
Section modulus	W <sub>x</sub>	0,70	cm <sup>3</sup>
	W <sub>y</sub>	0,70	cm <sup>3</sup>
Surface	A	1,60	cm <sup>2</sup>