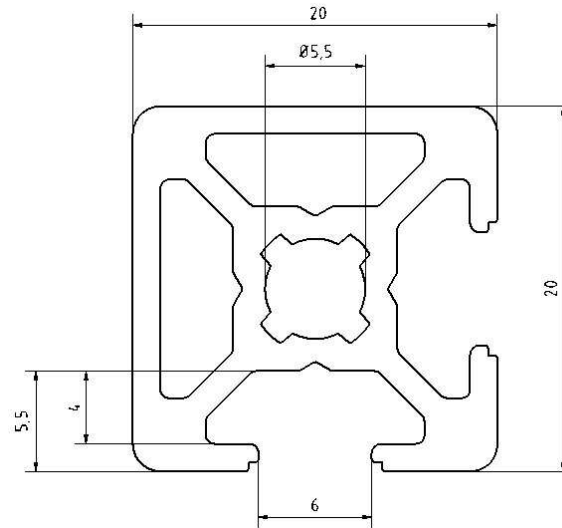
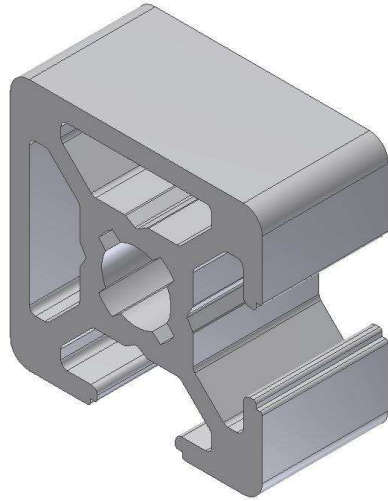


Profile 20x20 2NVS B-Type slot 6



Profile 20x20 2NVS B-Type slot 6

| | | | |
|-------------------|----|------|-----------------|
| Slot | | 6 | mm |
| Mass | m | 0,44 | Kg/m |
| Moment of Inertia | Ix | 0,70 | cm ⁴ |
| | Iy | 0,70 | cm ⁴ |
| Section modulus | Wx | 0,70 | cm ³ |
| | Wy | 0,70 | cm ³ |
| Surface | A | 1,60 | cm ² |