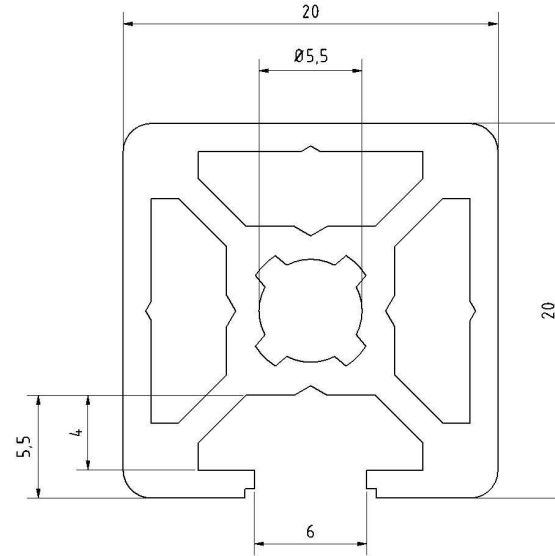
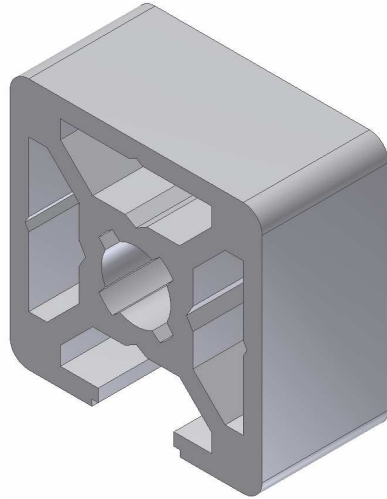


Profile 20x20 1N B-Type slot 6



Profile 20x20 1N B-Type slot 6

Slot		6	mm
Mass	m	0,44	Kg/m
Moment of Inertia	Ix	0,70	cm ⁴
	Iy	0,70	cm ⁴
Section modulus	Wx	0,70	cm ³
	Wy	0,70	cm ³
Surface	A	1,60	cm ²